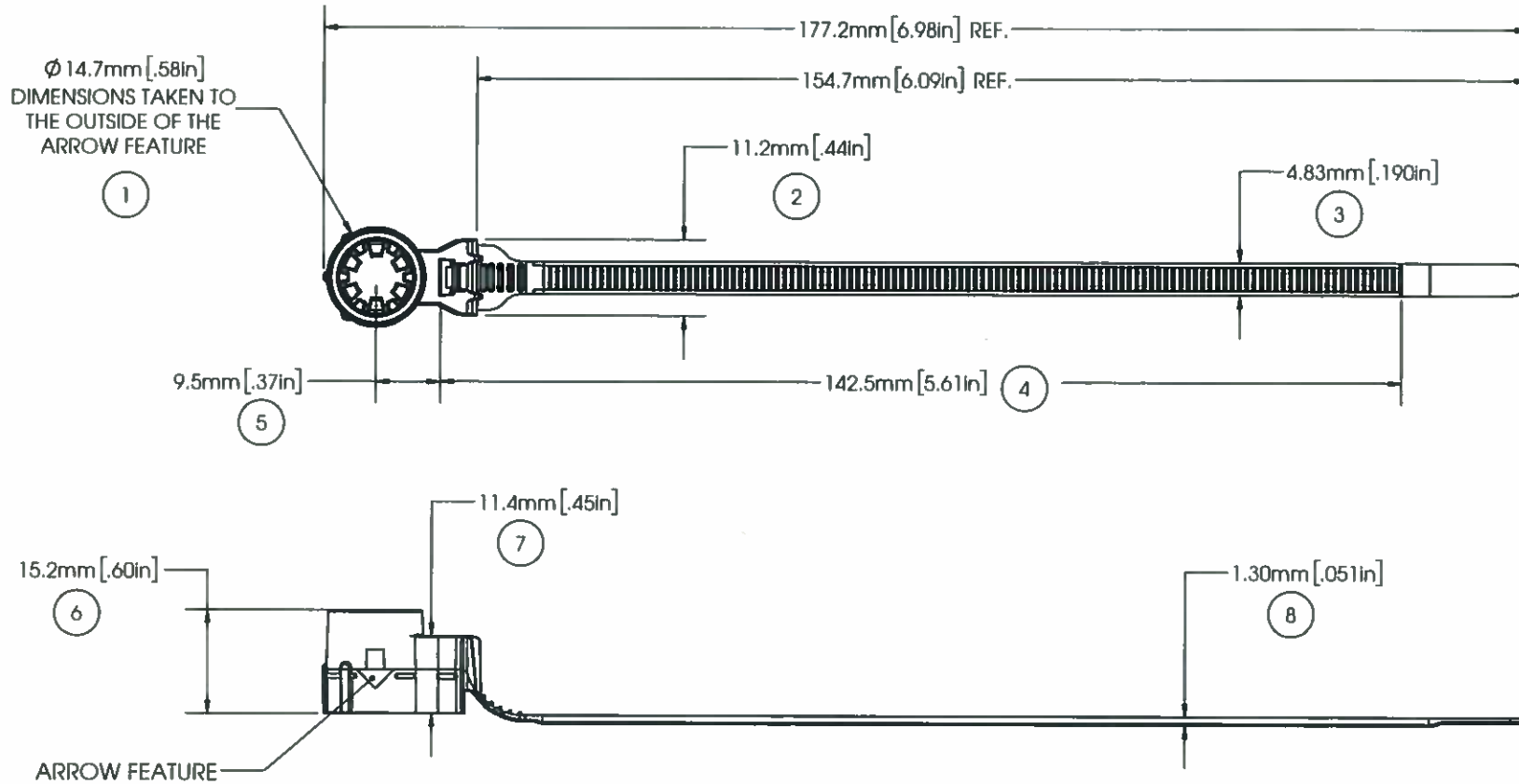


AVERY DENNISON MARKETING SPECIFICATION

HISTORY

REV.	DATE	DESCRIPTION
A	06.17.16	RELEASED

THE SUBJECT MATTER DISCLOSED HEREIN EMBODIES PROPRIETARY INFORMATION WHICH IS THE CONFIDENTIAL PROPERTY OF THE AVERY DENNISON CO. NONE OF WHICH SHALL BE COPIED, REPRODUCED, DISCLOSED TO OTHERS, PUBLISHED OR USED IN WHOLE OR IN PART, FOR ANY PURPOSE OTHER THAN THAT FOR WHICH IT IS BEING MADE AVAILABLE, WITHOUT THE EXPRESS ADVANCE WRITTEN PERMISSION OF A DULY AUTHORIZED AGENT OF THE COMPANY. THIS DOCUMENT IS THE PROPERTY OF THE AVERY DENNISON CO. AND IS TO BE RETURNED TO THE COMPANY ON DEMAND.



NOTES:
1. SPECIAL CHARACTERISTICS ARE NOTED BY A TRIANGLE (Δ)

APPROVALS: ENG. APPR. *[Signature]* 06/30/16
Q.A. APPR. *[Signature]* 06/30/2016

AVERY DENNISON
FASTENER DIVISION
FITCHBURG, MA 01420 U.S.A.
TEL: 1-800-225-5913
FAX: 978-353-8157

SPECIFIED TOLERANCES ARE:
MATERIAL: NYLON 6/6, IMPACT MODIFIED, HEAT STABILIZED
COLOR: BROWN
XXX ± .03 INCHES .X ± .7 mm
.XXX ± .010 INCHES .XX ± .25 mm
ANGULAR: ± 2°

DESCRIPTION: M8 COMPACT WELD STUD TIE, HI HEAT
STOCK NO.: 20152-HHBN
REV.: A